



5.25 - 5.85 GHz

Antena Reflectora Parabólica de Doble Rendimiento Polarizada Estándar



Beneficios:

- Totalmente preensamblado en la fábrica: simplifica la instalación en el sitio y garantiza la calidad "probada en fábrica"
- Garantía: garantía líder del sector de 7 años

Especificaciones

General

Part Number	RDH4503B	RDH4504B	RDH4505B	RDH4506B	RDH4507B
Antenna Type	Standard Performance Parabolic Reflector Antenna	Standard Performance Parabolic Reflector Antenna	Standard Performance Parabolic Reflector Antenna	Standard Performance Parabolic Reflector Antenna	Standard Performance Parabolic Reflector Antenna
Size, nominal	2 ft (0.6 m)	3 ft (0.9 m)	4 ft (1.2 m)	6 ft (1.8 m)	8 ft (2.4 m)
Polarization	Dual	Dual	Dual	Dual	Dual
Standard RF Connector Type	N Female	N Female	N Female	N Female	N Female

Eléctrico

Part Number	RDH4503B	RDH4504B	RDH4505B	RDH4506B	RDH4507B
Operating Frequency Band	5.25 - 5.85 GHz	5.25 - 5.85 GHz	5.25 - 5.85 GHz	5.25 - 5.85 GHz	5.25 - 5.85 GHz
Half Power Beam width, Horizontal	6.2 degrees	4.2 degrees	3.1 degrees	2.1 degrees	1.6 degrees
Half Power Beam width, Vertical	6.2 degrees	4.2 degrees	3.1 degrees	2.1 degrees	1.6 degrees
Cross Polarization Discrimination	30 dB	30 dB	30 dB	30 dB	30 dB
Front to Back Ratio (F/B)	38 dB	40 dB	44 dB	46 dB	52 dB
Gain, Low Frequency	28.5 dBi	32 dBi	34.4 dBi	37.4 dBi	40.4 dBi
Gain, Mid Frequency	29 dBi	32.5 dBi	34.9 dBi	37.9 dBi	40.9 dBi
Gain, High Frequency	29.5 dBi	33 dBi	35.4 dBi	38.4 dBi	41.4 dBi
VSWR	1.5:1	1.5:1	1.5:1	1.5:1	1.5:1
Return Loss	-14 dB	-14 dB	-14 dB	-14 dB	-14 dB

HOJA DE ESPECIFICACIONES DE LA ANTENA ESTÁNDAR DE RENDIMIENTO POLARIZADO DUAL DE 5 GHz PTP 5 GHz

Mecánico

Part Number	RDH4503B	RDH4504B	RDH4505B	RDH4506B	RDH4507B
Fine Azimuth Adjustment	+/- 10 degrees	+/- 10 degrees	+/- 10 degrees	+/- 10 degrees	+/- 5 degrees
Fine Elevation Adjustment	+/- 30 degrees	+/- 25 degrees	+/- 25 degrees	+/- 25 degrees	+/- 5 degrees
Mounting Pipe Diameter, Min	2 inch (5.08 cm)	4.5 inch (11.4 cm)	4.5 inch (11.4 cm)	4.5 inch (11.4 cm)	4.5 inch (11.4 cm)
Mounting Pipe Diameter, Max	4.5 inch (11.4 cm)	4.5 inch (11.4 cm)	4.5 inch (11.4 cm)	4.5 inch (11.4 cm)	4.5 inch (11.4 cm)
Net Weight without radome	22 lbs (9.9 kg)	35 lbs (15.8 kg)	60 lbs (27 kg)	95 lbs (42.8 kg)	165 lbs (74.3 kg)
Net Weight with radome	26 lbs (11.7 kg)	43 lbs (19.4 kg)	80 lbs (36 kg)	125 lbs (56.3 kg)	250 lbs (113.4 kg)
Wind Velocity Operational	90 mph (145 km/h)	90 mph (145 km/h)	90 mph (145 km/h)	90 mph (145 km/h)	90 mph (145 km/h)
Wind Velocity Survival Rating	125 mph (201 km/h)	125 mph (201 km/h)	125 mph (201 km/h)	125 mph (201 km/h)	125 mph (201 km/h)
Axial Force (FA) without radome	222 lbs (988 N)	492 lbs (2189 N)	855 lbs (3803 N)	1768 lbs (7865 N)	3795 lbs (16940 N)
Axial Force (FA) with radome	122 lbs (543 N)	271 lbs (1206 N)	469 lbs (2087 N)	973 lbs (4329 N)	2773 lbs (12334 N)
Side Force (FS) without radome	14 lbs (62 N)	40 lbs (178 N)	45 lbs (200 N)	98 lbs (436 N)	1115 lbs (4980 N)
Side Force (FS) with radome	24 lbs (107 N)	64 lbs (285 N)	93 lbs (414 N)	162 lbs (721 N)	1422 lbs (6325 N)
Twisting Moment (MT) without radome	225 ftlbs (305 Nm)	545 ftlbs (739 Nm)	1120 ftlbs (1518 Nm)	2270 ftlbs (3077 Nm)	4800 ftlbs (6508 Nm)
Twisting Moment (MT) with radome	194 ft-lbs (263 Nm)	394 ft-lbs (534 Nm)	784 lbs (1063 Nm)	2100 lbs (2847 Nm)	4400 lbs (5966 Nm)
Operating Temperature Range	40 to +60 C	40 to +60 C	40 to +60 C	40 to +60 C	40 to +60 C
Max Pressure, PSIG, (if waveguide interface)	5	5	5	5	5

Información de Embarque

Part Number	RDH4503B	RDH4504B	RDH4505B	RDH4506B	RDH4507B
Package Type	Cardboard	Wood Crate	Wood Crate	Wood Crate	Wood Crate
Gross Weight	25 lbs (11.3 kg)	78 lbs (35.3 kg)	126 lbs (57.15 kg)	222 lbs (100.7 kg)	878 lbs (398.2 kg)
Dimensions, L x W x H	28 x 8 x 28 in (71 x 20 x 71 cm)	40 x 17 x 44 in (101 x 43 x 140 cm)	59 x 19 x 60 in (150 x 48 x 152 cm)	77 x 20 x 80 in (195 x 501 x 203 cm)	102 x 60 x 91 in (259 x 152 x 231 cm)
Shipping Volume	3.63 cu ft (0.1 cu m)	17.31 cu ft (0.49 cu m)	38.92 cu ft (1.1 cu m)	71.3 cu ft (2.02 cu m)	322.29 cu ft (9.13 cu m)

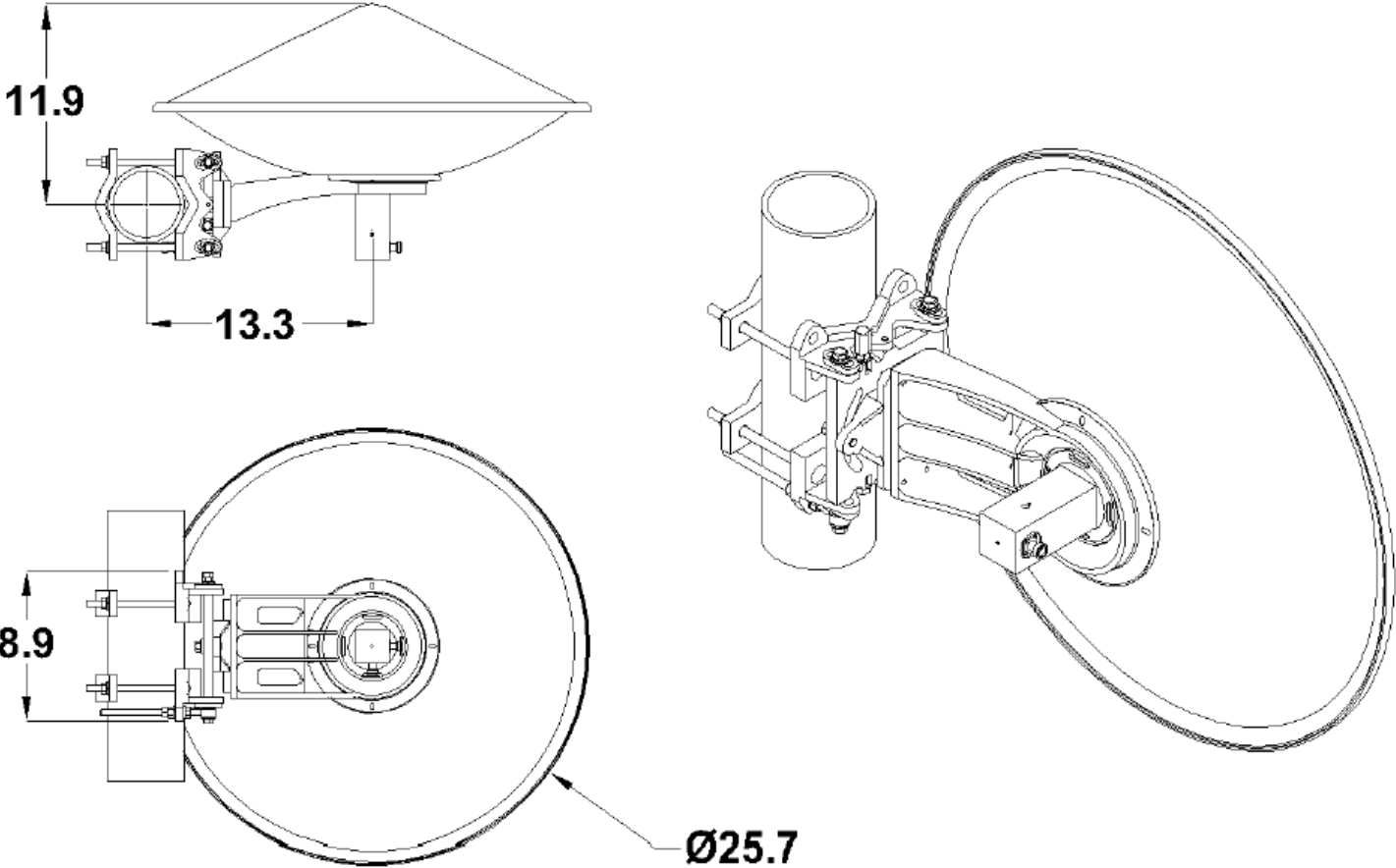
Regulación

FCC	undeclared
Industry Canada Compliance	undeclared
ETSI	undeclared
RoHS Compliance	Yes

Nota: Todas las antenas pueden operar 4.9-6.0 GHz con especificaciones levemente degradadas

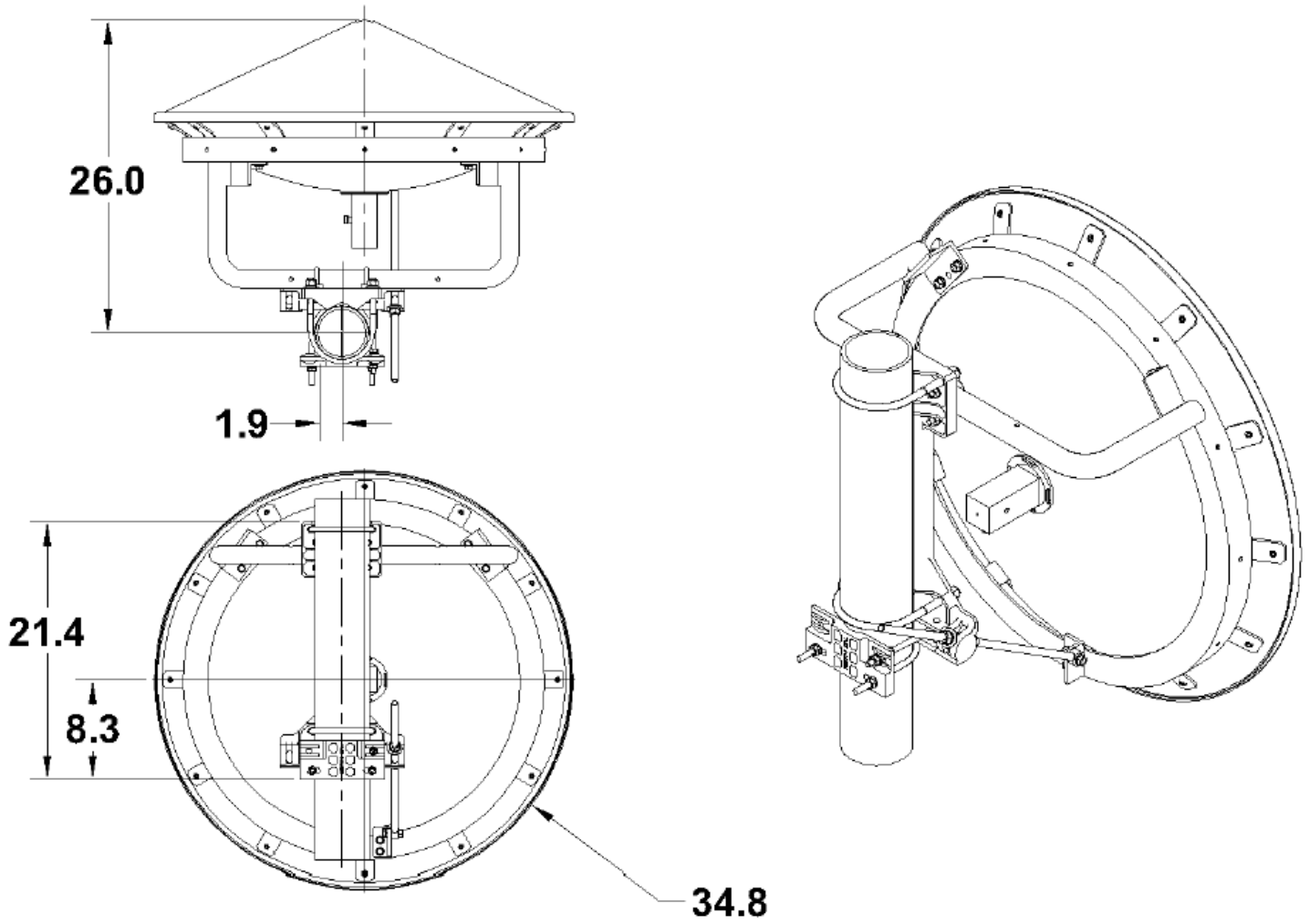
Dibujos Técnicos

P/N	Description
RDH4503B	5.25-5.85 GHz, 2-FT (0.6M), DUAL-POL, H-POL & V-POL



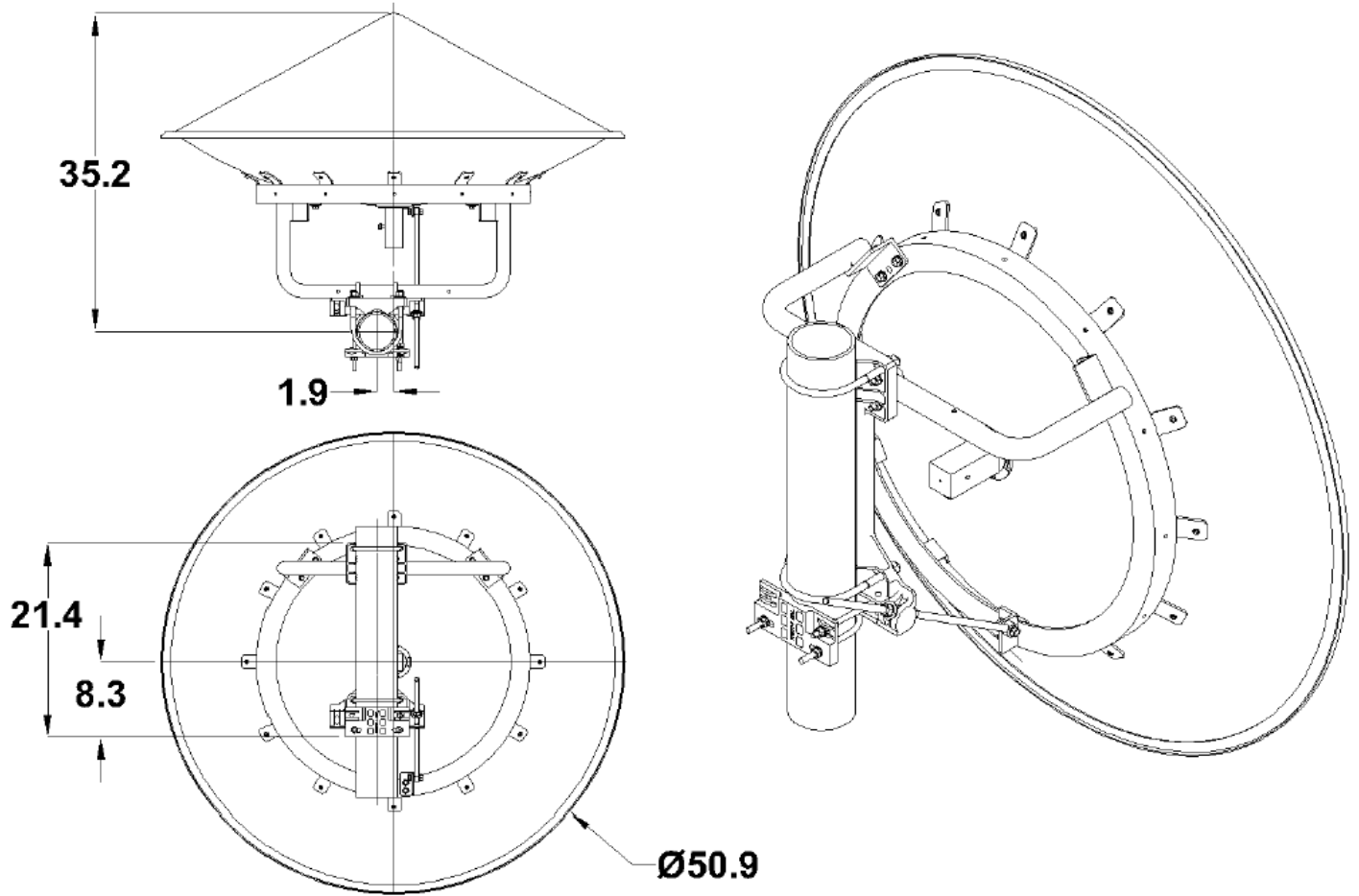
HOJA DE ESPECIFICACIONES DE LA ANTENA ESTÁNDAR DE RENDIMIENTO POLARIZADO DUAL DE 5 GHz PTP 5 GHz

P/N	Description
RDH4504B	5.25-5.85 GHz, 3-FT (0.9M), DUAL-POL, H-POL & V-POL



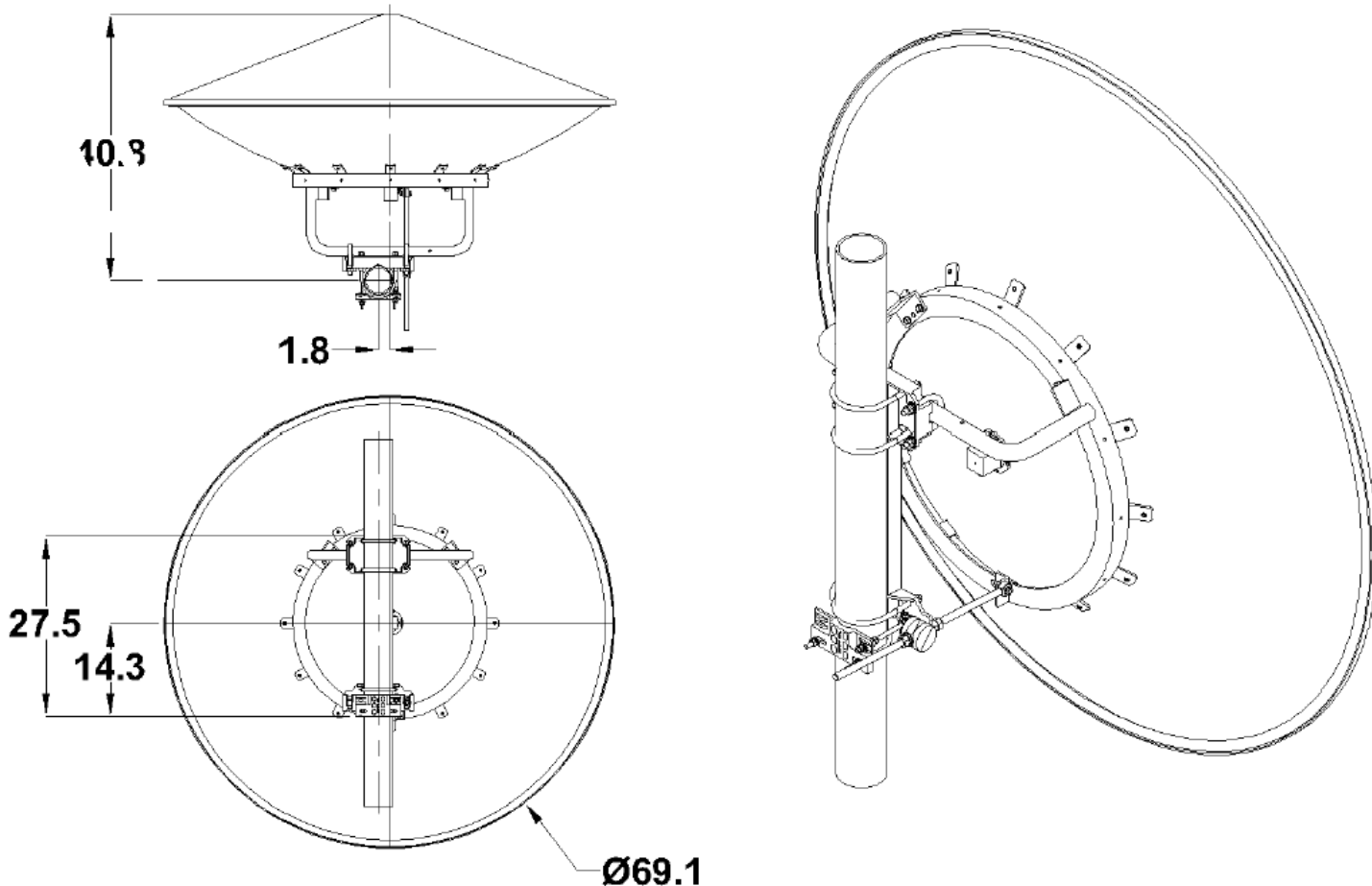
HOJA DE ESPECIFICACIONES DE LA ANTENA ESTÁNDAR DE RENDIMIENTO POLARIZADO DUAL DE 5 GHz PTP 5 GHz

P/N	Description
RDH4505B	5.25-5.85 GHz, 4-FT (1.2M), DUAL-POL, H-POL & V-POL



HOJA DE ESPECIFICACIONES DE LA ANTENA ESTÁNDAR DE RENDIMIENTO POLARIZADO DUAL DE 5 GHz PTP 5 GHz

P/N	Description
RDH4506B	5.25-5.85 GHz, 6-FT (1.8M), DUAL-POL, H-POL & V-POL



HOJA DE ESPECIFICACIONES DE LA ANTENA ESTÁNDAR DE RENDIMIENTO POLARIZADO DUAL DE 5 GHz PTP 5 GHz

P/N	Description
RDH4507B	5.25-5.85 GHz, 8-FT (2.4M), DUAL-POL, H-POL & V-POL

